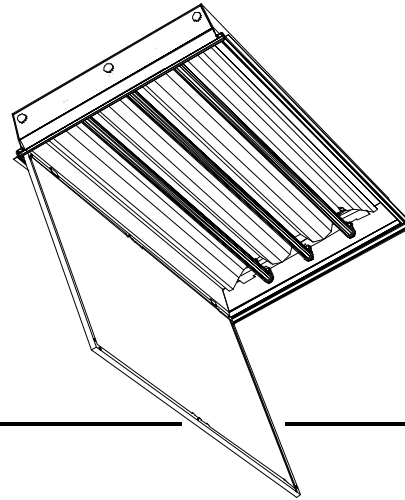


Features

- Computer designed for optimal performance
- Provides uniform light distribution
- Minimizes lens streaking
- Tool-free reflector installation and removal



Technical Data

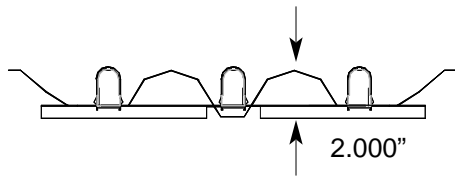
Brackets: 20ga. (0.032") pre-painted die formed with sufficient knockouts for mounting and electrical supply.

Finish: All cold rolled steel parts are painted with a smooth, glossy, highly reflective white paint.

Reflector: The reflector can be ordered with an 85% reflective anodized finish, a 95% reflective enhanced or film finish, or a 92% reflective white enamel. The substrate is 0.020" high quality aluminum. The reflector profile is optimized using computer analysis and manufactured using state of the art CNC equipment. A protective premask is applied to all reflective surfaces prior to manufacture.

Installation: For retrofit, the existing ballast and socket bars are removed. With the new ballast installed, the ESI socket bars are centered at the ends of the fixture and fastened with two self-tapping screws. The reflector is positioned between the socket bars. By applying slight compression to the reflector peak, the tabs on the socket bar are aligned with the punchouts in the reflector. When the compression is released, the tabs securely hold the reflector in place.

Installation & Ordering Information

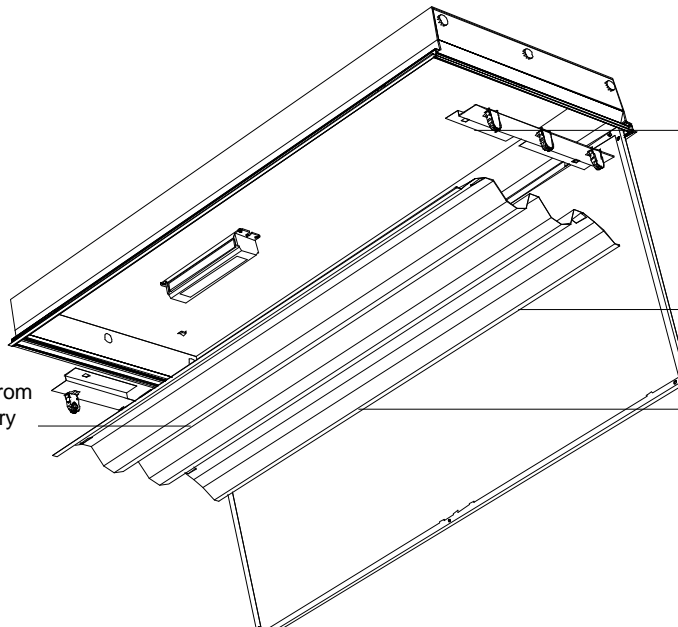


*Socket sets fit either 2x2 or 2x4 fixtures.

Socket Bar Set (2x2 & 2x4*)	Reflector
K-2403VKTW-I (For Instant Start Ballast)	R-22WRP2 (2x2 White)
K-2403VKTW-U (For Program Start Ballast)	R-22EAP2 (2X2 Enhanced)
K-2403VKTW-I-DS (For Instant Start Dual Switching)	R-24WRP2 (2x4 White)
K-2403VKTW-U-DS (For Program Start Dual Switching)	R-24EAP2 (2x4 Enhanced)

Highlights

Available in reflectances from 85% to 95%, meeting every performance and budget requirement.



Socket bar tabs allow tool-free reflector installation and removal

17 bend, press-brake formed reflector profile

Designed and analyzed on proprietary software for optimal performance

UL classified for use with existing UL listed luminaire