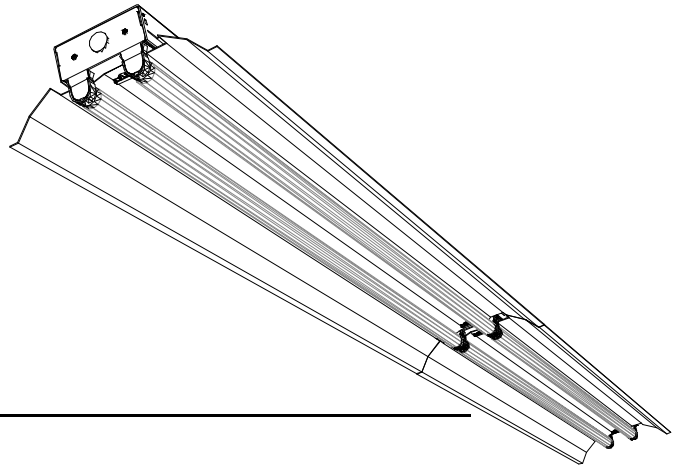


Features

- Computer designed for optimal performance*
- Available in a range of materials to meet every performance and budget criteria*
- One piece center bracket simplifies installation*



Technical Data

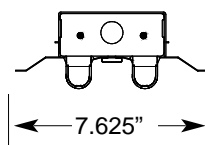
Socket Bars: 0.032" pre-painted cold-rolled steel. Provided as a three-piece break-apart set to simplify material handling. Pre-punched for lampholders and alignment holes.

Reflector: The reflector can be ordered with an 85% reflective anodized finish, a 95% reflective enhanced or film finish, or a 92% reflective white enamel. The substrate is 0.020" high quality aluminum. The reflector profile is optimized using computer analysis and manufactured using state of the art CNC equipment. A protective pre-mask is applied to all reflective surfaces prior to manufacture.

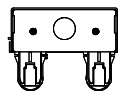
Installation: For retrofit, the existing ballast covers, ballast and socket bars are removed. With the new ballast installed, the ESI socket bars are attached to the existing channel with self-tapping screws. The reflector is positioned between the socket bars and attached with quarter-turn fasteners.

Installation

8" Reflector Profile(8S)

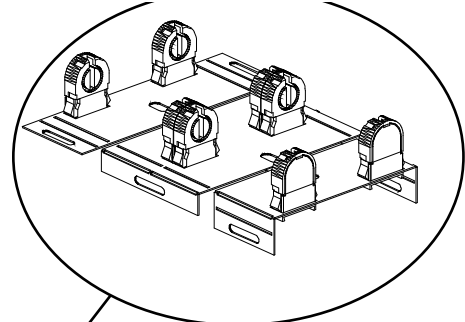


Ballast Cover Option*



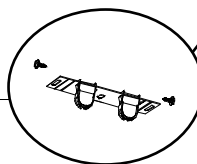
*Ballast cover option available in 4.25" and 5.00" widths

Versa-Form Socket-Bar Set (4.25" or 5.00" Variable)

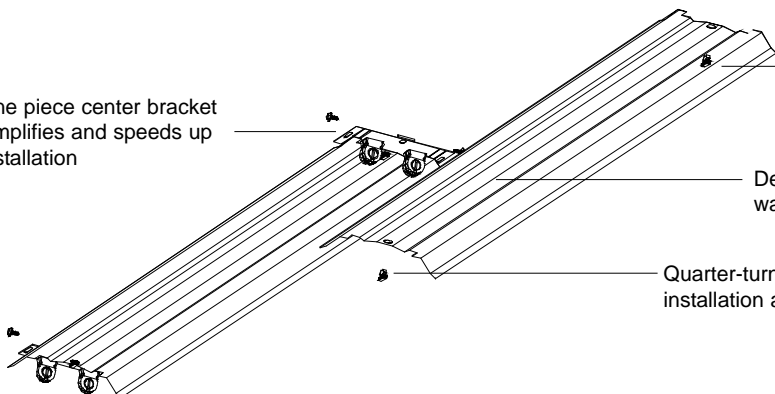


Highlights

Optional Versa-form socket-bar set is field adjustable for 4.25" or 5.00" channels



One piece center bracket simplifies and speeds up installation



Available in reflectances ranging from 85% to 95% to meet every performance and budget requirement.

Designed and analyzed on proprietary software for optimal performance

Quarter-turn fasteners allow tool-free reflector installation and removal

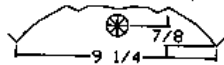
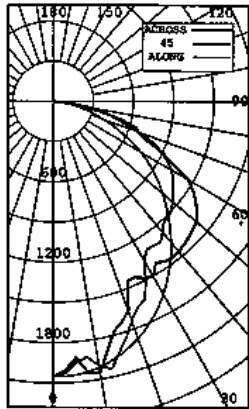
UL classified for use with existing UL listed luminaire

Photometrics



CERTIFIED TEST REPORT NO. LSI 14152

ENERGY SOLUTIONS 1 X 8 STRIP LUMINAIRE CAT# 18EA12S
 TWO SYLVANIA 32W FLUORESCENT LAMPS, CAT# FO32/850/XP/ECO LUMEN RATING 3000 LM.
 ONE SYLVANIA QHE 2X32T8/UNV ISN-SC OPERATING AT 120 VAC AND 55 WATTS



CANDLEPOWER SUMMARY		OUTPUT LUMENS	
ANGLE ALONG	22.5 45 67.5	ACROSS	
0	2051 2051 2051	2051 2051	
5	2045 2023 1955	1927 1920	193
10	2013 1908 2003	2067 2048	
15	1955 1881 1931	1811 1771	529
20	1875 1943 1733	1704 1653	
25	1775 1799 1628	1402 1447	747
30	1655 1620 1360	1456 1501	
35	1519 1416 1312	1393 1453	886
40	1371 1305 1271	1414 1457	
45	1218 1066 1214	1383 1428	965
50	1067 928 1165	1335 1390	
55	920 871 1095	1261 1297	962
60	755 747 1019	1139 1161	
65	573 660 892	884 898	783
70	402 561 676	641 677	
75	263 442 466	528 517	469
80	129 252 296	234 216	
85	50 107 60	3 1	84
90	5 12 8	0 0	

ZONAL LUMENS AND PERCENTAGES

ZONE	LUMENS	% LAMP	% LUMINAIRE
0-30	1468	24.48	26.15
0-40	2354	39.24	41.92
0-60	4281	71.35	76.23
0-90	5616	93.61	100.00
40-90	3261	54.36	58.08
60-90	1335	22.25	23.77
90-180	0	.00	.00
0-180	5616	93.61	100.00

** EFFICIENCY = 93.6% **

LUMINANCE SUMMARY - CD./SQ.M.

ANGLE	ALONG	45	ACROSS
45	3005	3008	3538
55	2800	3344	3962
65	2364	3698	3721
75	1776	3146	3501
85	1002	807	29

S/MH = 1.1
 SC(ALONG) = 1.2, SC(ACROSS) = 1.1

CERTIFIED BY: [Signature]
 DATE: JUN 15, 1999
 PREPARED FOR: ENERGY MASTERS
 ST. PAUL, MN

*shown for an enhanced aluminum reflector, full reports for all products available upon request

Summaries

95% reflective, specular enhanced aluminum

Efficiency: 95.1%
 Spacing height ratio (along) : 1.26
 Spacing height ratio (across) : 1.25
 Photometric data file: 18STEA8S232.ies

85% reflective, specular anodized aluminum

Efficiency: 91.1%
 Spacing height ratio (along) : 1.35
 Spacing height ratio (across) : 1.38
 Photometric data file: 18STAA8S232.ies

92% reflective, diffuse white enamel

Efficiency: 91.4%
 Spacing height ratio (along) : 1.30
 Spacing height ratio (across) : 1.37
 Photometric data file: 18STWR8S232.ies

Ordering Information

Socket Bar Options (includes Hardware)
K-1401VKTW-4.25/5.00 - (For 4ft 1L)
K-1402VKTW-4.25/5.00 - (For 4ft 2L)
K-1403PKTW-4.25/5.00 - (For 4ft 3L)
K-1802VKTW-4.25/5.00 - (For 8ft 2L)
K-1804VKTW-4.25/5.00 - (For 8ft 4L)
K-1806PKTW-4.25/5.00 - (For 8ft 6L)
Oversized Socket Bar Consult Factory (Widths 5.25"-10.00")

Ballast Cover/Reflector Options
(1 needed per 4ft fixture, 2 needed per 8ft fixture)
R-14WRBC-4.25 (Ballast cover only- 4in existing body)
R-14WRBC-5.00 (Ballast cover only- 5in existing body)
R-14WR8S (White Reflector)
R-14EA8S (Enhanced Aluminum)